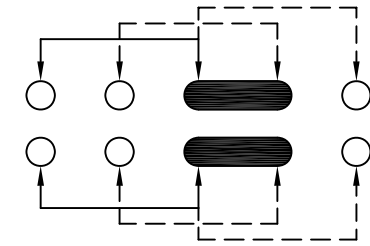
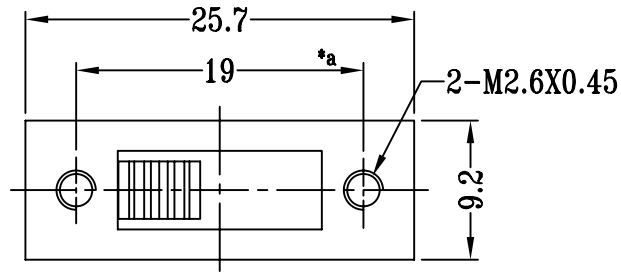
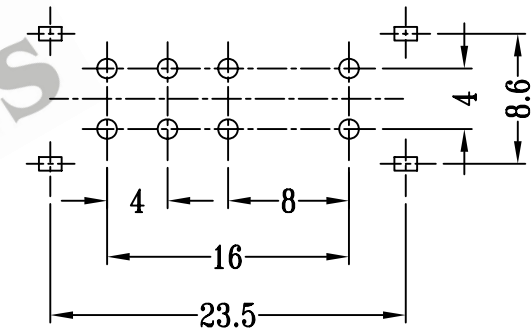
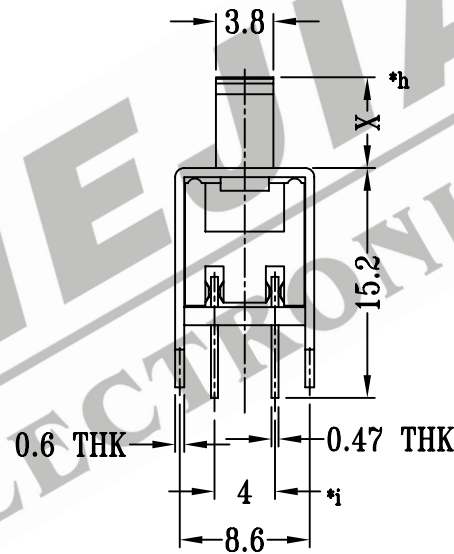
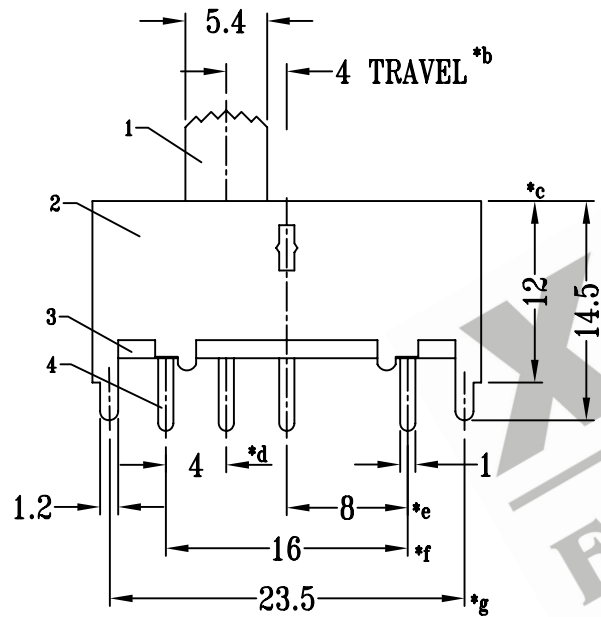


CAD FILE:



SCHEMATIC (SHORTING)



P.C.B LAYOUT

注:带"*"表示关键尺寸(9个)

8					TOLERANCE UNLESS SPECIFIED	SHENZHEN XIEJIA ELECTRONICS CO.,LTD.				
7	CONTACT CLIP	PBS STRIP	2	Ag PLATED	WITHIN: 1.5±0.1mm OVER : 1.5±0.2mm	ISSUE	DATE	DESCRIPTIONS OF REVISION		APPD
6	STEEL BALL	STEEL	2	NATURAL						
5	SPRING	STEEL WIRE	1	TEMPER						
4	TERMINAL	BRASS STRIP	8	Ag PLATED OVER Ni PLATED	TITLE: VERTICAL SLIDE SWITCH	UNIT : mm	DRWG NO.: XJ-DR-SS23H02-00			
3	BASE	PHENOLIC RESIN	1	BLACK	MODEL: SS-23H02	SCALE: 2:1	DWN	ZHOUYU	2001-3-10	
2	FRAME	STEEL STRIP	1	Ni PLATED			CHK'D	FANGYING	2001-3-10	
1	NOB	POM	1	BLACK	ALL MATERIALS MUST BE COMPLIANT TO ROHS		APPD	KANGXINAN	2001-3-10	
NO.	PARTS	MATERIALS	QTY	FINISH						